

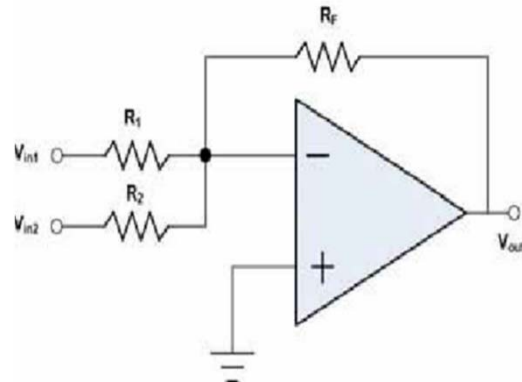
## Key Feature

- Infinior VoltSync Technology
- Smart Factory individual load monitoring support
- Smart MCCB insulation support
- Infinior Patent

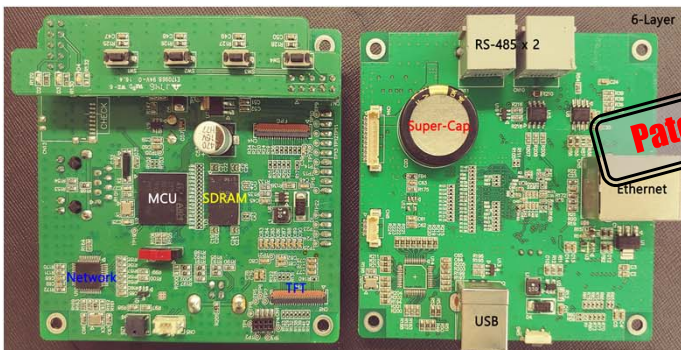
Item	Infinior	Competitor	Remark
Voltage Measure	○	○	Measurable in each power module(0.2class)
Individual PF Measure	○	X	Virtual Volt and Sync (Power 0.5class)
Display Device	TFT LCD	BW LCD	Multi Language Support (English/Chines/Japanese/Korean)
Power Metering	No Main CT	Need Main CT	Infinior VoltSync Tech enables individual power meter measure.

## Infinior VoltSync Technology

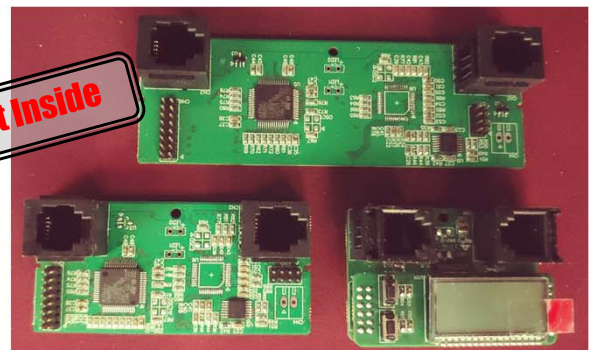
- Real time sync with ZC (per 2cycles)
- Very precise sync pulse generation
  - "60.000 Hz"
- Virtual 3-phase sine wave
  - C + Assembly (High Accuracy)
  - Two DACs with summing AMP



## Reference Board



Digital Power Measuring Gateway



Digital Power Measuring Module